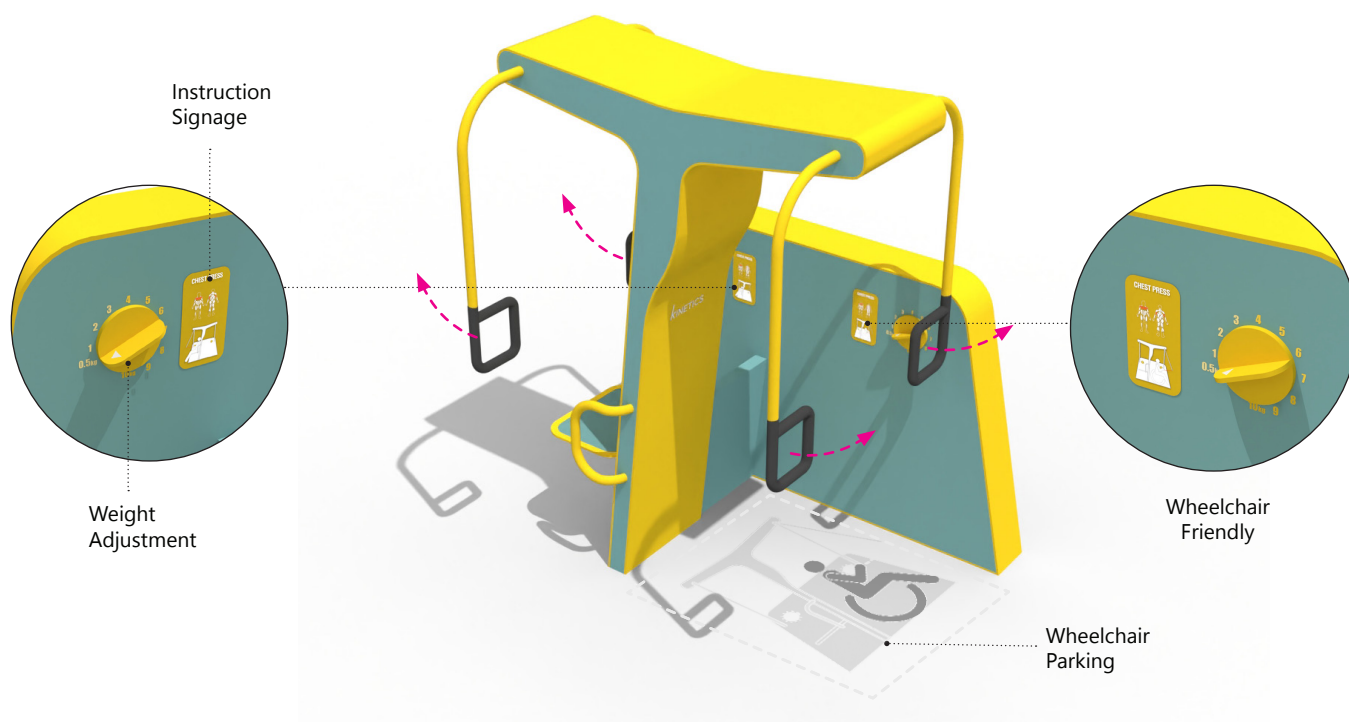


Product description

The Chest Press: The fully accessible solution for low-impact strength training. It safely improves upper body strength and posture for seniors, offering both seated and wheelchair-accessible options. Features include adjustable weights, multiple hand-grips, and supportive backrests for maximum stability and comfort.

Product information

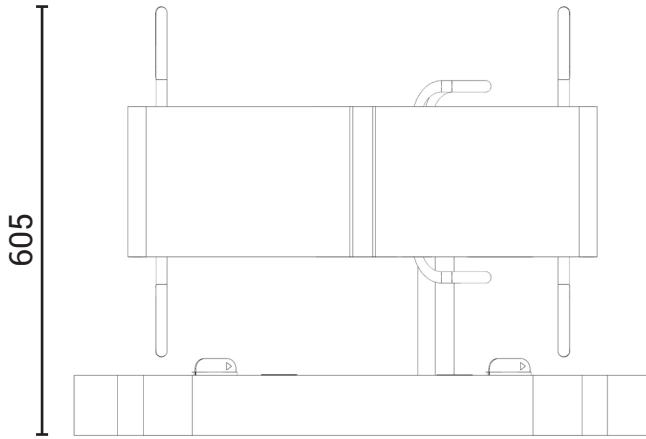
Category	: SilverActive Elderly Fitness
Age group	: 16yrs & above
Product Code	: EF300
Maximum users	: 2 user
Sizes (mm)	: L605 x H1865 x W1725 mm



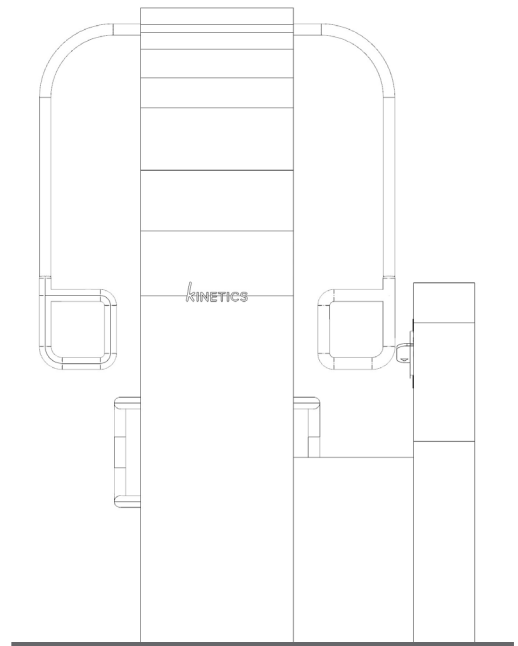
Subject to change without prior notice.

KINETICS PLAY SDN. BHD. (1223254-U)

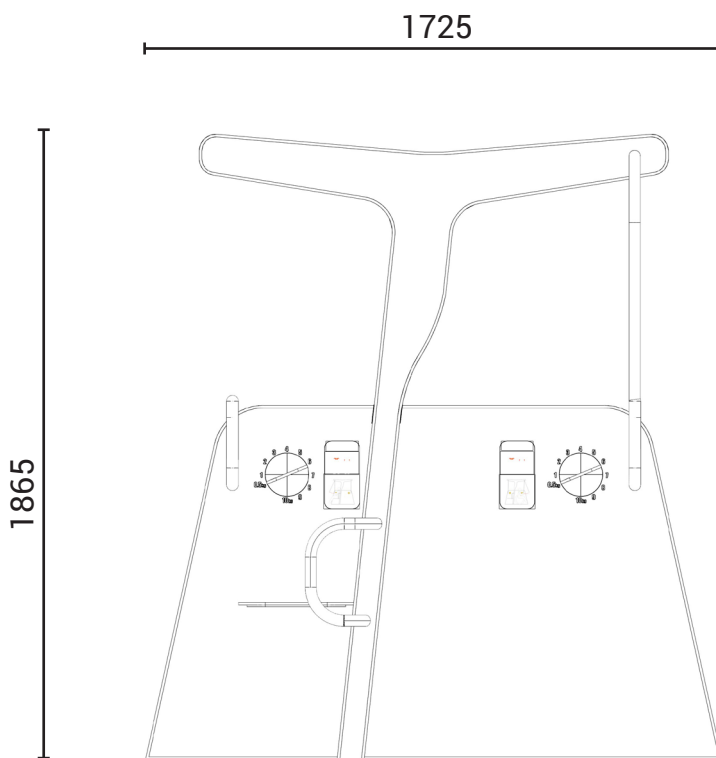
Lot 2-44 Jalan SU7, Lion Industrial Park, Persiaran Tengku Ampuan, 40300 Shah Alam, Selangor, Malaysia.
 Tel: +603-5888 9104 Email: info@kineticsplay.com Web: www.kineticsplay.com



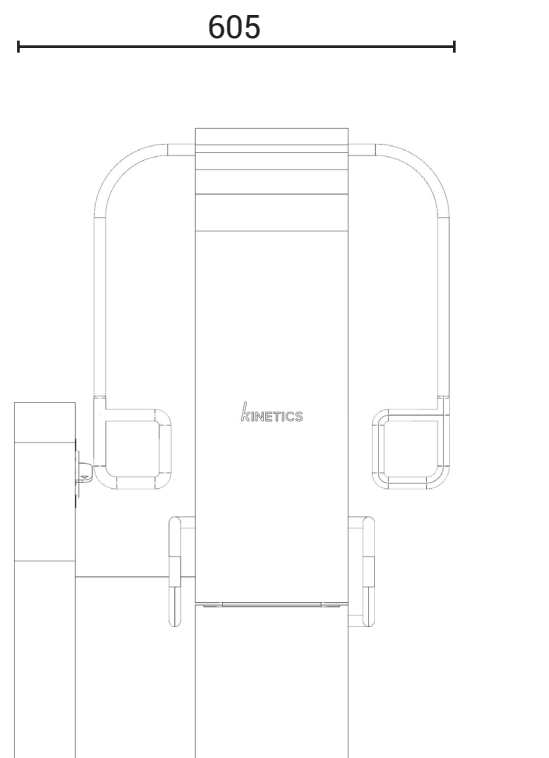
Top



Right Elevation



Front Elevation



Left Elevation

Subject to change without prior notice.

KINETICS PLAY SDN. BHD. (1223254-U)

Lot 2-44 Jalan SU7, Lion Industrial Park, Persiaran Tengku Ampuan, 40300 Shah Alam, Selangor, Malaysia.
Tel: +603-5888 9104 Email: info@kineticsplay.com Web: www.kineticsplay.com