

Product description

The L-Shaped Anti-Slip Stairs and Anti-Slip Ramp equipment is designed to replicate real-life walking conditions more closely, allowing frail elderly users to practice turning, balance, and coordination while navigating stairs and ramps. Unlike the straight layout, the L-shaped design introduces a change in direction, providing a more dynamic training experience. The equipment includes three-level handrails for support and non-slip surfaces on both the stairs and ramp to ensure safety. This design helps users build confidence in handling corners, commonly encountered in homes, public spaces, and outdoor environments.

Product information

Category	: SilverActive Elderly Fitness
Age group	: 16yrs & above
Product Code	: EF701
Maximum users	: 2 user
Sizes (mm)	: L2625 x H1415 x W3425 mm



Anti-Slip Stairs

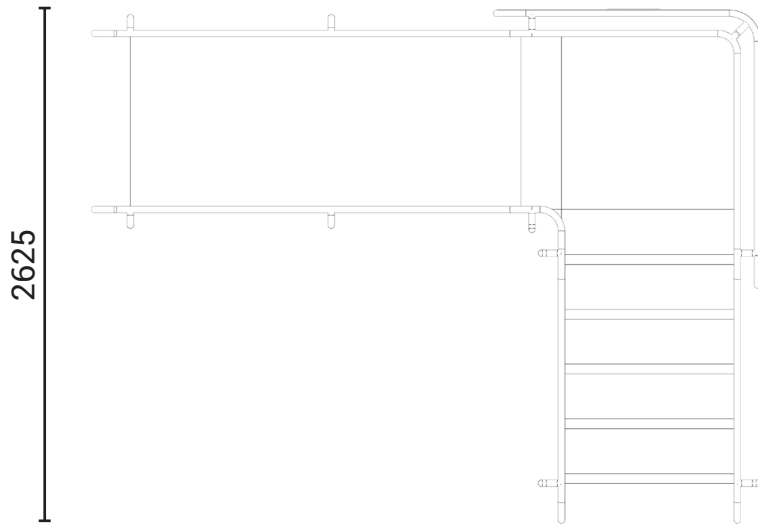
Instruction Signage

Anti-Slip Ramp

Subject to change without prior notice.

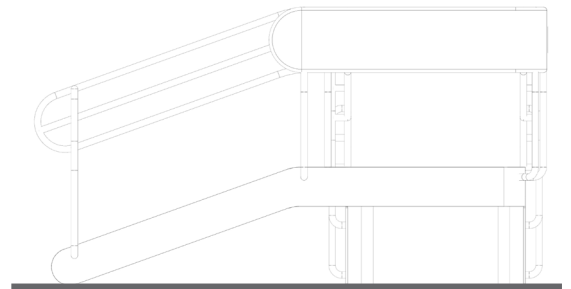
KINETICS PLAY SDN. BHD. (1223254-U)

Lot 2-44 Jalan SU7, Lion Industrial Park, Persiaran Tengku Ampuan, 40300 Shah Alam, Selangor, Malaysia.
 Tel: +603-5888 9104 Email: info@kineticsplay.com Web: www.kineticsplay.com

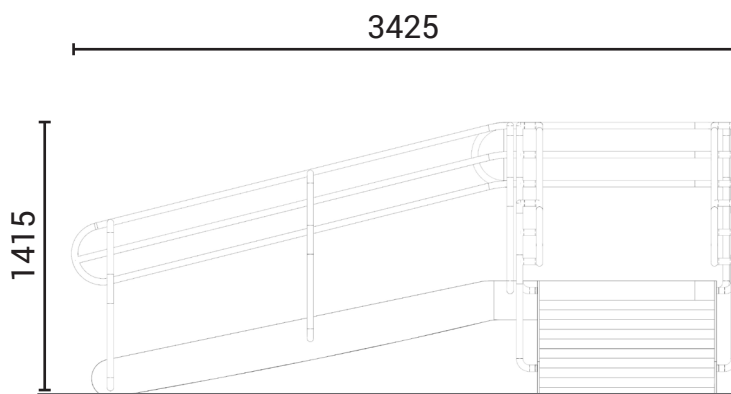


2625

Top



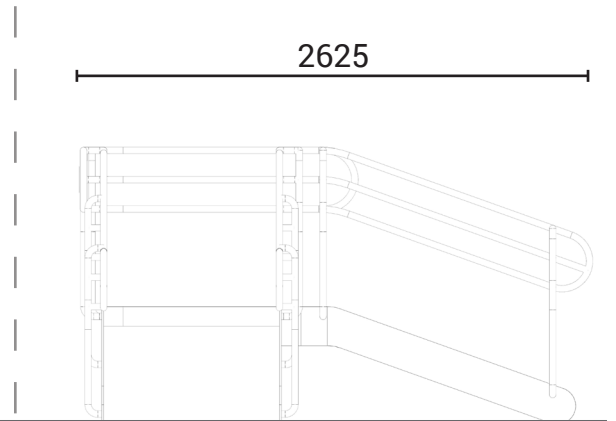
Right Elevation



3425

1415

Front Elevation



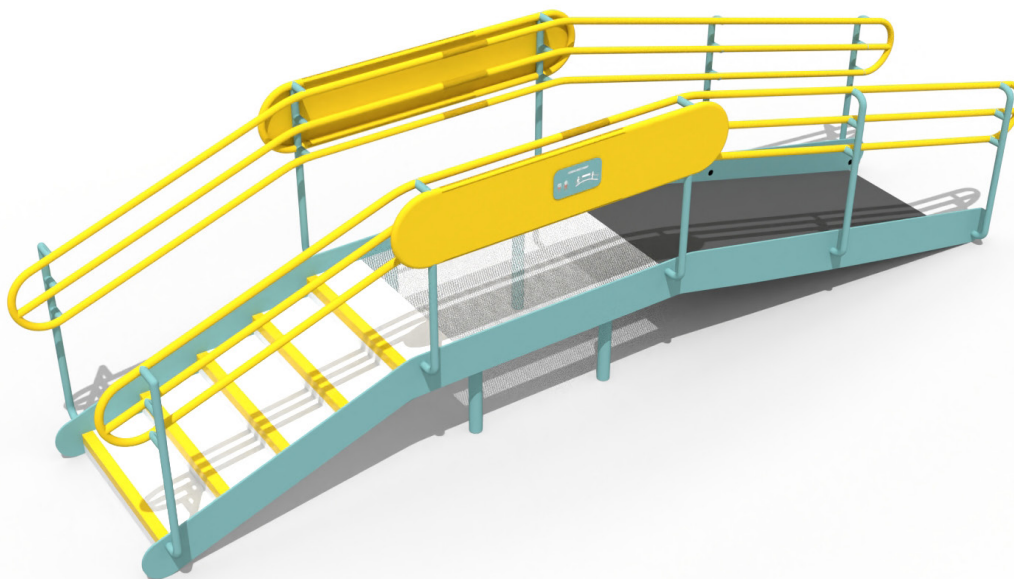
2625

Left Elevation

Subject to change without prior notice.

KINETICS PLAY SDN. BHD. (1223254-U)

Lot 2-44 Jalan SU7, Lion Industrial Park, Persiaran Tengku Ampuan, 40300 Shah Alam, Selangor, Malaysia.
Tel: +603-5888 9104 Email: info@kineticsplay.com Web: www.kineticsplay.com

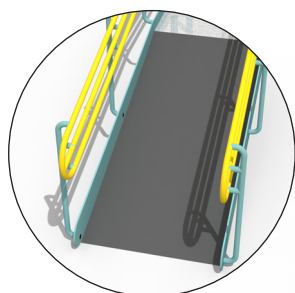


Product description

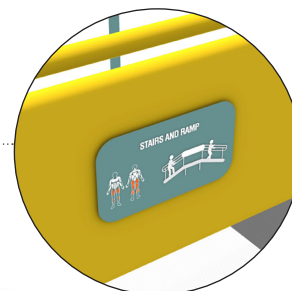
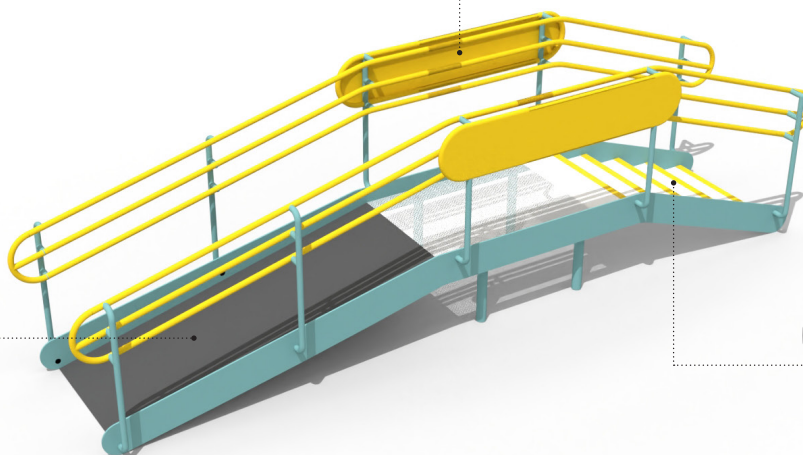
The Anti-Slip Stairs and Anti-Slip Ramp equipment helps frail elderly users safely train essential skills of climbing stairs and walking on ramps, movements often encountered in daily life. The equipment features low-rise stairs and a gentle ramp, complete with handrails at three levels to suit users of varying heights and abilities. The steps and ramp surfaces are built with non-slip, high-grip materials to enhance safety and stability. With its supportive design, this equipment provides a safe environment for elderly users to improve strength, coordination, and confidence while performing functional movements.

Product information

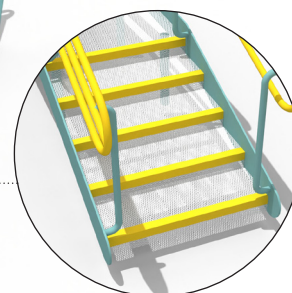
Category	: SilverActive Elderly Fitness
Age group	: 16yrs & above
Product Code	: EF700
Maximum users	: 2 user
Sizes (mm)	: L1025 x H1415 x W4055 mm



Anti-Slip Ramp



Instruction Signage

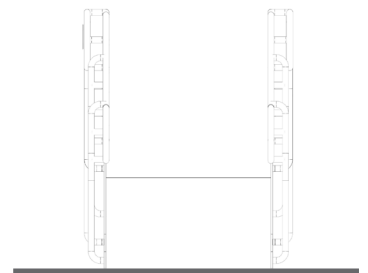
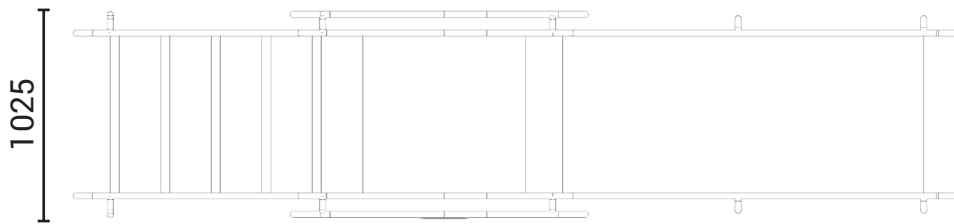


Anti-Slip Stairs

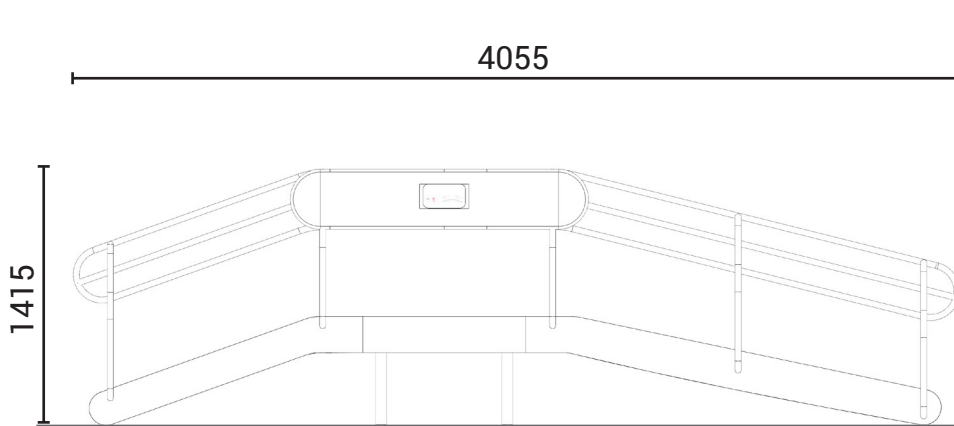
Subject to change without prior notice.

KINETICS PLAY SDN. BHD. (1223254-U)

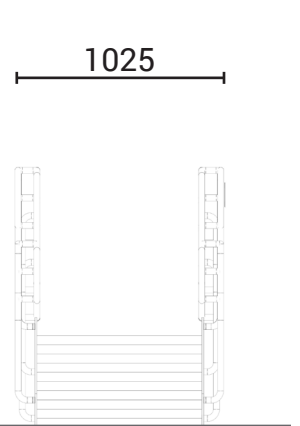
Lot 2-44 Jalan SU7, Lion Industrial Park, Persiaran Tengku Ampuan, 40300 Shah Alam, Selangor, Malaysia.
 Tel: +603-5888 9104 Email: info@kineticsplay.com Web: www.kineticsplay.com



Right View



Elevation view



Left View

Subject to change without prior notice.

KINETICS PLAY SDN. BHD. (1223254-U)

Lot 2-44 Jalan SU7, Lion Industrial Park, Persiaran Tengku Ampuan, 40300 Shah Alam, Selangor, Malaysia.
Tel: +603-5888 9104 Email: info@kineticsplay.com Web: www.kineticsplay.com